

Speaker

Model: OSS16-6322-18A1.5W8-C



ELECTRICAL SPECIFICATIONS

	Condition	Parameter	Unit
Sound Pressure Level	at 0.1W, 0.1M [at 0.8, 1.0, 1.2, 1.5KHz]	94 ± 3	dB
Impedance	at 1V, 1000Hz	8 ± 15%	Ω
Rated Input Power		1.5	W
Max Input Power		2	W
Resonant Frequency (Fo)	at 1V	750 ± 20%	Hz
Frequency Range		F0 ~ 6000	Hz
Buzzer & Rattles	not be audible at sine wave between F0 ~ 6KHz	3.46	V
Operating Temperature		-30 ~ 70	°C
Magnet		Nd-Fe-B	
Frame Material		ABS	
Cone Material		Cloth	
Weight		7	g

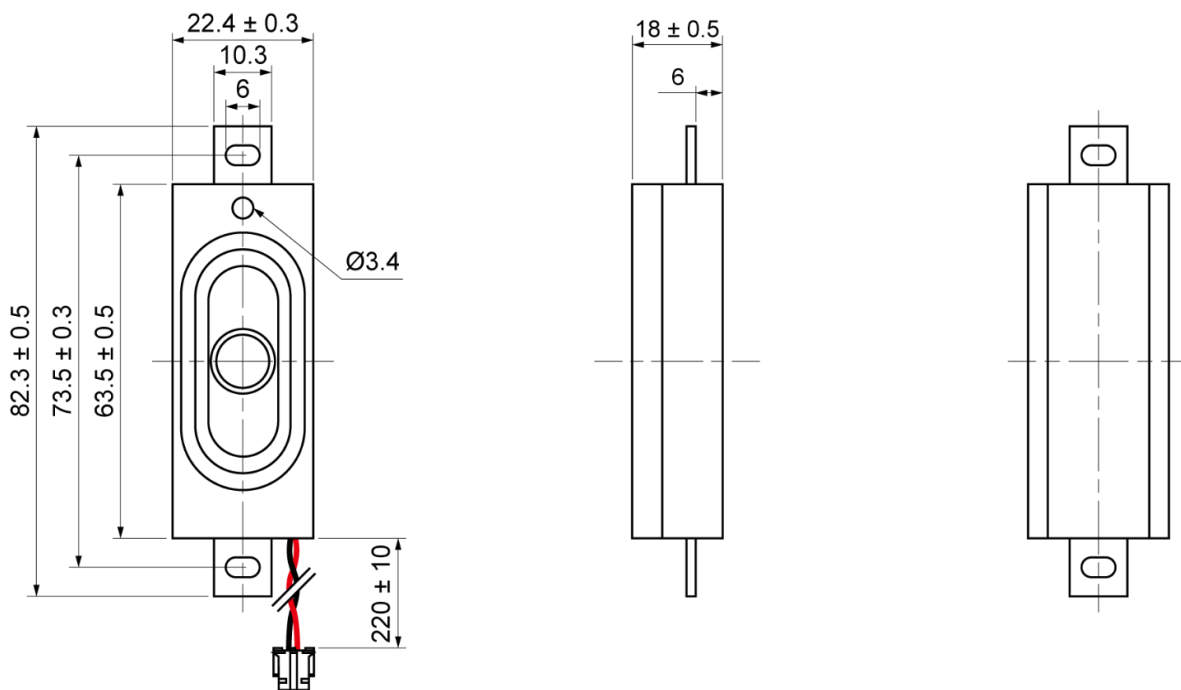
MECHANICAL DRAWING

Dimensions in mm

Wire: 220mm UL1571 AWG28

Tolerance ±0.5mm Except Specified

Connector: JST PH2.0-2P



Speaker

Model: OSS16-6322-18A1.5W8-C

FREQUENCY RESPONSE CURVE

